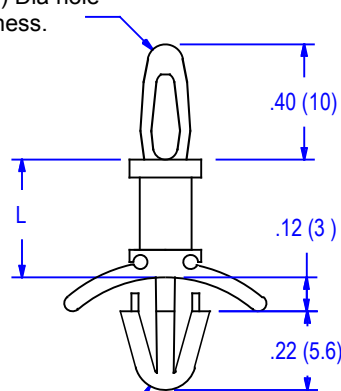
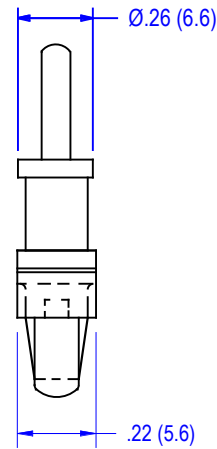


01-19C series

.156 ±.003 (4.75±0.08) Dia hole
1/16 (1.6) Panel thickness.



.187 ±.003 (4.75±0.08) Dia hole
1/16 (1.6) Panel thickness.



ITEM NO.	L ±.015 (0.38)	
	Inches	(mm)
01-19C-25	.156	(4)
01-19C-30	.187	(4.8)
01-19C-40	.250	(6.35)
01-19C-50	.312	(7.9)
01-19C-60	.375	(9.6)
01-19C-70	.437	(11.1)
01-19C-80	.500	(12.7)
01-19C-100	.625	(15.9)
01-19C-120	.750	(19)
01-19C-140	.875	(22.2)
01-19C-160	1.00	(25.4)
01-19C-180	1.125	(28.6)

PACKAGING : 1000 PER BAG

MATERIAL	NYLON 66
UL RATING	94V-2
UL FILE NO.	R70062
COLOR	NATURAL
RoHS COMPLIANCE	YES
TEMPERATURE RANGE (REF.)	-40 to 185°F (-40 to 85°C)
MR NUMBER	01

NYLON 66 RATED UL94V-0 AVAILABLE UPON REQUEST.
TO ORDER ADD SUFFIX "X" TO ITEM NUMBER.

				Drwn. by:	Name	Date	Title PC BOARD SUPPORT, 01-19C series	
					FL	07/22/19		
				Unit:	INCHES	(mm)		
				Tolerance (unless noted) =.015 (0.38)			Part No.	SEE TABLE
				ALL ELECTRONICS HARDWARE, INC. 2642 CORPORATE PARKWAY ALGONQUIN, ILLINOIS 60102 TEL.1-800-778-7234			Drwng. type	Catalog
							Issue	0
								07-23-19
No	Revision	Date	Init.				File No.	01-19C series